

TURBISCAN CLASSIC 2



FAST & TRUE STABILITY

thanks to analysis under real conditions (no stress & no dilution), up to 200 times faster than visual observation



QUICK DETECTION OF ALL INSTABILITIES

Aggregation, agglomeration, coalescence, flocculation, sedimentation, creaming



THE REFERENCE

Turbiscan technology is the worldwide reference for colloidal stability analysis



STATE OF THE ART SOFTWARE

new Turbisoft Classic for easy and automated comparison of your samples stability

QUICK STABILITY ANALYSIS OF EMULSIONS & CONCENTRATED DISPERSIONS

STABILITY & SIZE

www.formulation.com

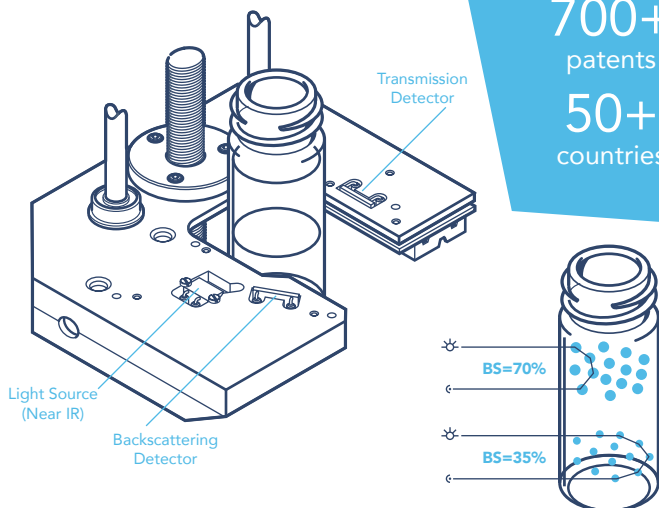
Formulation 
Smart scientific analysis

TURBISCAN, THE REFERENCE

Turbiscan® is used world-wide to detect at a very early stage all kinds of destabilization such as coalescence, flocculation, creaming, sedimentation, etc... Various products such as emulsions, suspensions or foams can be studied from low to high concentrations without any sample preparation or dilution.



MEASUREMENT PRINCIPLE



2000+ publications

700+ patents

50+ countries

Turbiscan® works on Multiple Light Scattering in both Transmission (T) and Backscattering (BS), in order to analyze low and high concentration dispersions. T & BS signals depend on particle size and concentration: **BS & T = f (d / φ)**

The Turbiscan® CLASSIC 2 acquires T & BS every 20 microns along the sample height. Scans are repeated during ageing time to detect any variation of the signal due to a destabilization, such as particle migration and/or particle size variation.

KEY BENEFITS

TRUE STABILITY ANALYSIS

- Real storage conditions
- Sedimentation/Creaming rate without external stress (no centrifugation)
- Size variation without any dilution

FAST STABILITY ANALYSIS

- Up to 200 times faster than naked eye
- Perfect for Quality Control and quick fingerprint of samples

EASY STABILITY ANALYSIS

- State of the art software with 1-click data treatment and report generation
- Plug & Play instrument
- Comparison of different measurements in the same file



APPLICATIONS



Cosmetics



Food



Paint & Ink



Oil & Petroleum



Electronics



Pharmaceutical

TECHNICAL SPECIFICATIONS

Cell Volume	7 ml
Quantitative monitoring of dispersion stability	•
Migration velocity & hydrodynamic diameter	•
ISO TR 13097 compliant	•
Size range	10 nm to 1 mm
Concentration range	0.0001 to 60% v/v
Repeatability auto	± 0.1 %
Repeatability manual	± 0.25 %
Temperature control	No
Dimensions (cm)	34x16x29
Weight (kg)	5